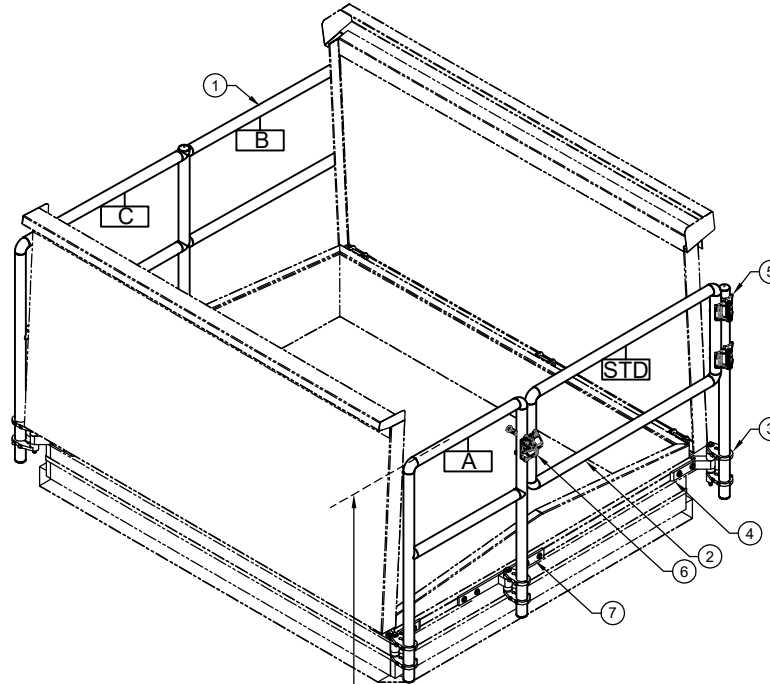


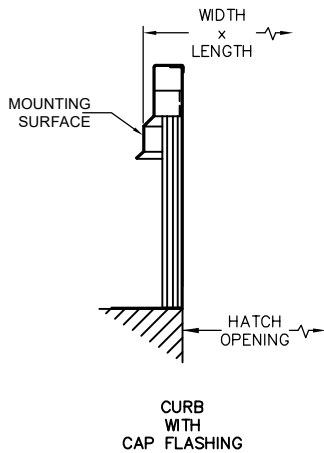
SEE NOTE 1

SINGLE LEAF UNIT

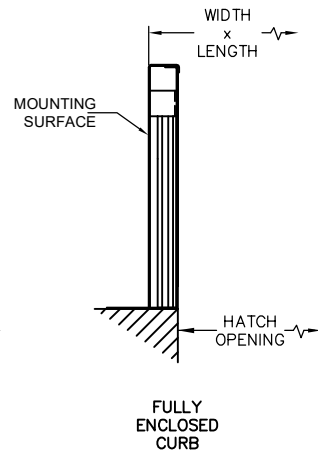


SEE NOTE 1

DOUBLE LEAF UNIT



CURB WITH CAP FLASHING



FULLY ENCLOSED CURB

CUSTOMER UNIT INFORMATION AND FIELD MEASURED DIMENSIONS FOR THE MOUNTING SURFACE TO INSTALL A BIL-GUARD® 2.0 ON A NON-BILCO UNIT			
MOUNTING SURFACE SIZE	WIDTH		LENGTH (HINGE SIDE)
UNIT	<input type="checkbox"/> SINGLE LEAF	<input type="checkbox"/> DOUBLE LEAF	
CURB TYPE	<input type="checkbox"/> CAP FLASHING	<input type="checkbox"/> FULLY ENCLOSED	
GATE LOCATION	<input type="checkbox"/> STD	<input type="checkbox"/> A	<input type="checkbox"/> B <input type="checkbox"/> C

NOTE: SMOKE VENTS WILL NOT HAVE A GATE

SPECIFICATIONS

1. 1 1/4" SCHEDULE 40 PIPE IN 6061 T6 ALUMINUM ALLOY RAILS
2. SELF CLOSING GATE
3. ALUMINUM POST SUPPORTS
4. CORNER BRACKETS
5. STAINLESS STEEL SPRING HINGES
6. CAST ALUMINUM GATE LATCH W/ STAINLESS STEEL PIN
7. SIDE BRACKET

NOTES:

1. TOP OF RAIL TO BE SET 42" ABOVE THE ROOF SURFACE OR DECK
2. STANDARD GATE POSITIONS SHOWN
3. ALL FASTENERS ARE STAINLESS STEEL
4. ALL PARTS AND FASTENERS ARE INCLUDED IN PACKAGE. MOUNTING SURFACE MUST BE STRUCTURALLY SOUND TO SUPPORT ASSEMBLY
5. POWDER COAT FINISH IN RAL 1018, SAFETY YELLOW

ROOF SCUTTLE NOT INCLUDED

CUSTOMER:

P.O. NO.:

JOB:

TAG:

SALES REP.:

APPROVED BY:

DATE:



BIL-GUARD® 2.0 - HATCH RAIL SYSTEM FOR FIELD INSTALLATION ON SINGLE OR DOUBLE LEAF NON-BILCO ROOF SCUTTLES & SMOKE VENTS

QTY	TYPE	SIZE	WIDTH x LENGTH
<input type="text"/>	RL2	<input type="text"/> x <input type="text"/>	HINGE SIDE

WEB SITE: www.bilco.com

THIS DRAWING IS THE PROPERTY OF THE BILCO COMPANY AND INCORPORATES INFORMATION WHICH IS PROPRIETARY. PUBLICATION AND/OR PUBLIC DISTRIBUTION IN WHOLE OR IN PART IS EXPRESSLY PROHIBITED WITHOUT THE PRIOR WRITTEN CONSENT OF THE BILCO COMPANY. THE INFORMATION CONTAINED HEREIN REMAINS THE PROPERTY OF THE BILCO COMPANY. ALL RIGHTS RESERVED.